

SLOKY®

1/4" Hex **Lollipop** **Torque Screwdriver**

NEW

30%
+
Reversible

±10%
Accuracy

+
-
Magnetic

Use Same
Tool

Color
Identity

Click

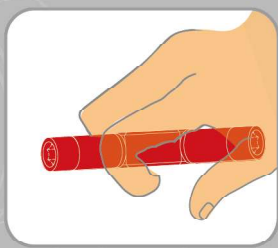
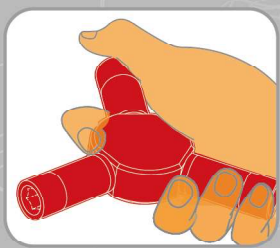


Light & Compact!

- ↑ Keep your screw safe
- ↑ Easy to use
- ↑ Portable



How to use



You can also store the screwdriver like lollipop 😊

1/4" Hex **Lollipop** **Torque Screwdriver**

Parts No : 0-TPK-3LOP-EX

MOQ: 3 sets

Create your own set, general use for all kits.

Pick any 3 adapters , make your own lollipop torque screwdriver for your needs.



NEW

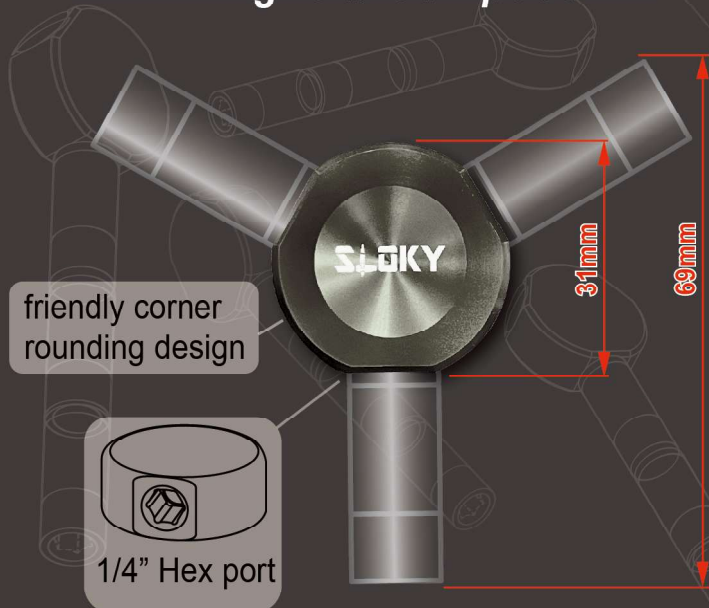


Hex 3way driver

Parts No : 0-TPK-03W

- A round body with a 1/4" hex drive for driving torque adapters.
- 3 driving ports equipped with magnets.
- High structural integrity and functionality.

Light & Compact



weight : 22g (Only drive. Torque adapter is not included.)

Torque Adapter

0.6/0.9/1.2/1.4/2.0/2.5/3.0/3.5/4.0/4.5/5.0/5.5/6.0 Nm

With the greatest advantage of "No Overtighten". It prevents the damages of the screw and tool, and ensures proper assembly. When the preset torque is reached, there is a "click" sound, stop tightening once this occurs. For continued tightening on the screw, it is no longer to increase torque on the screw.

- "Click" sound when preset torque is reached.
- Use SAME torque screwdriver to fasten and loosen the screws.
- Torque Accuracy: $\pm 10\%$.
- 30% reversible higher torque for loosening.
- Complied with various 1/4" Hex bits and handles.

